

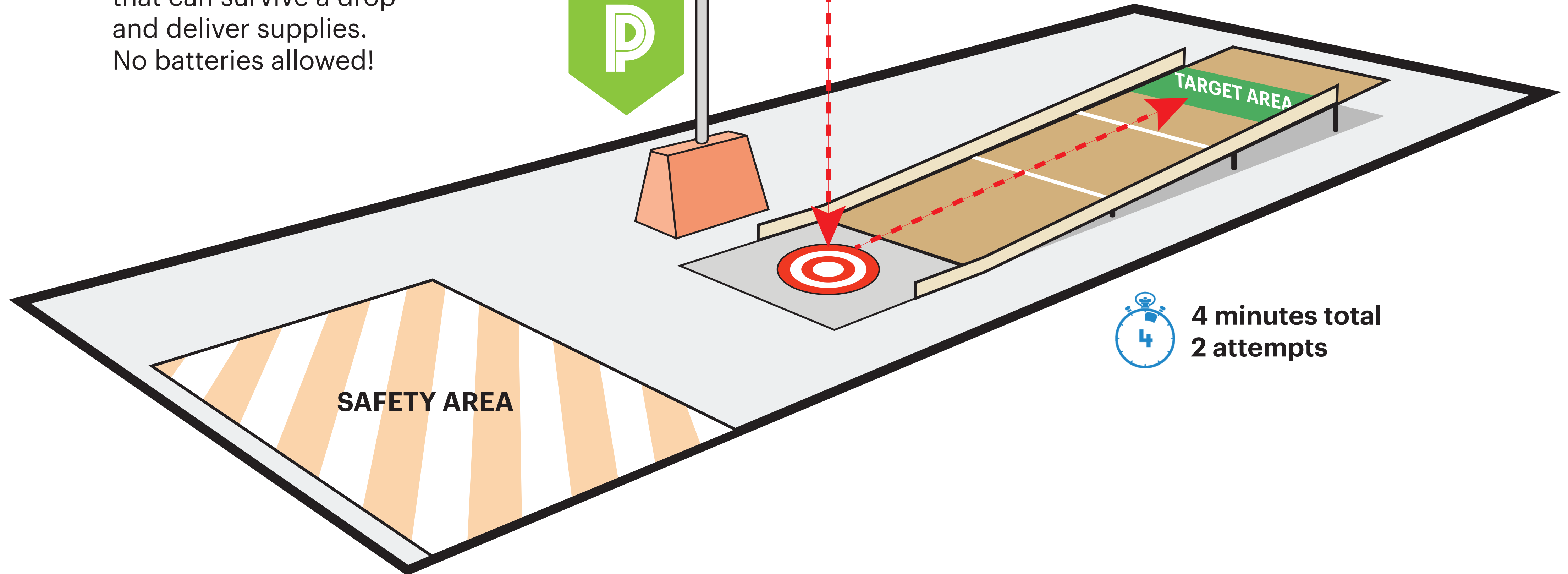
## The Tech Challenge

### The Challenge

Design and build a device that can survive a drop and deliver supplies.  
No batteries allowed!

**D  
R  
O  
P**

**& DASH**



**4 minutes total  
2 attempts**

Figure 1: Test Rig diagram

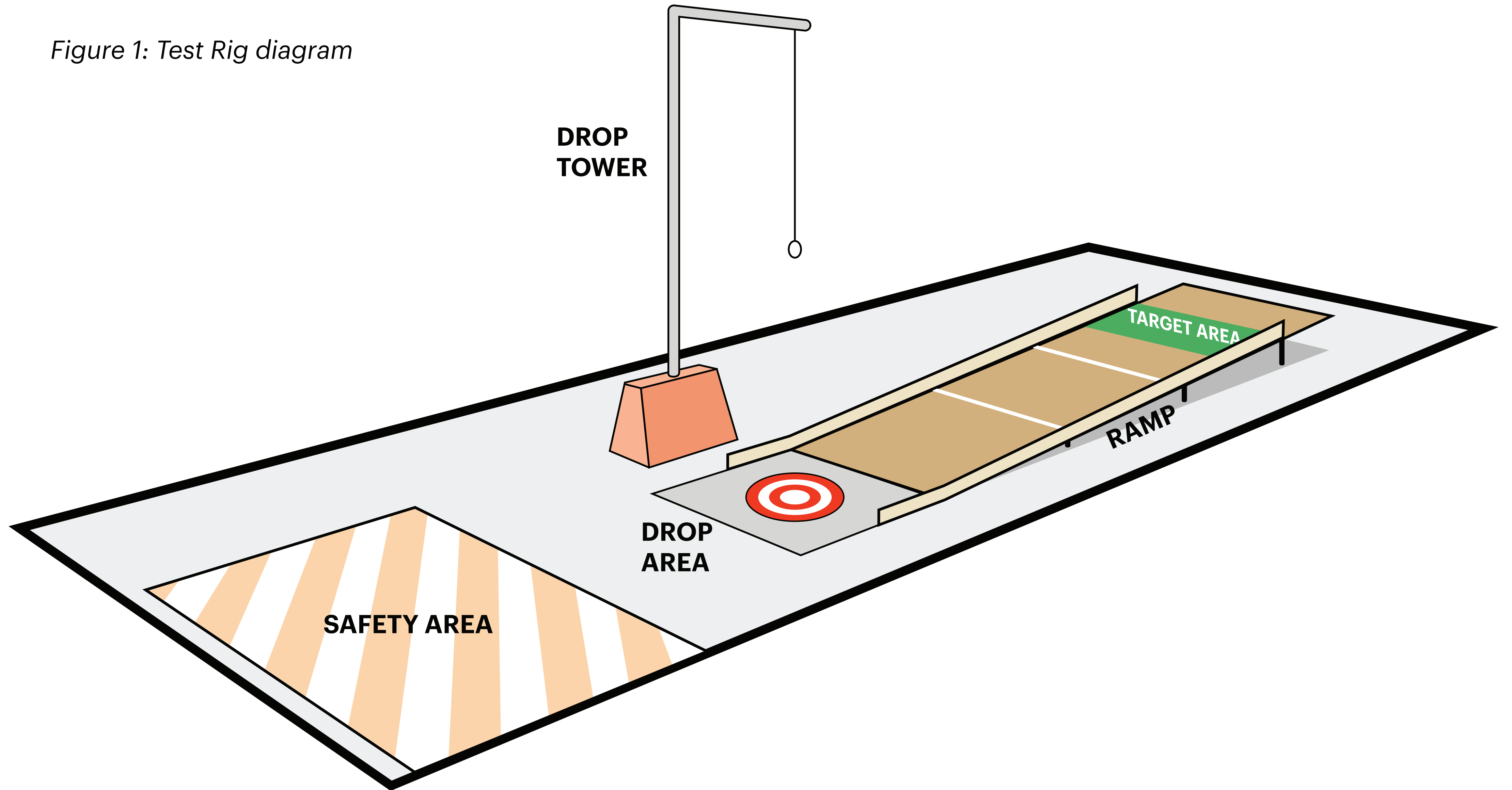


Figure 2: Aerial Diagram of the Test Rig

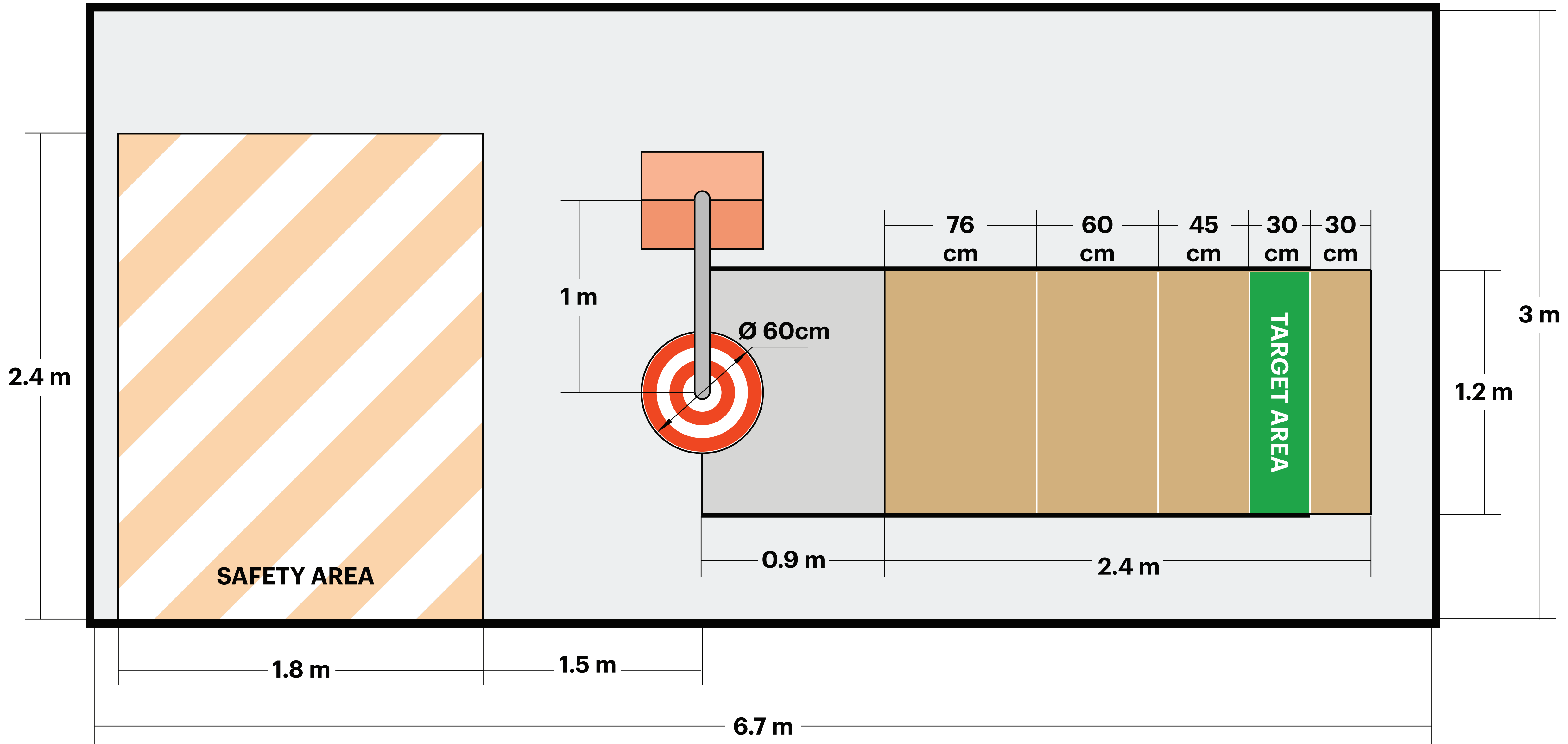


Figure 3: Diagram of the Ramp

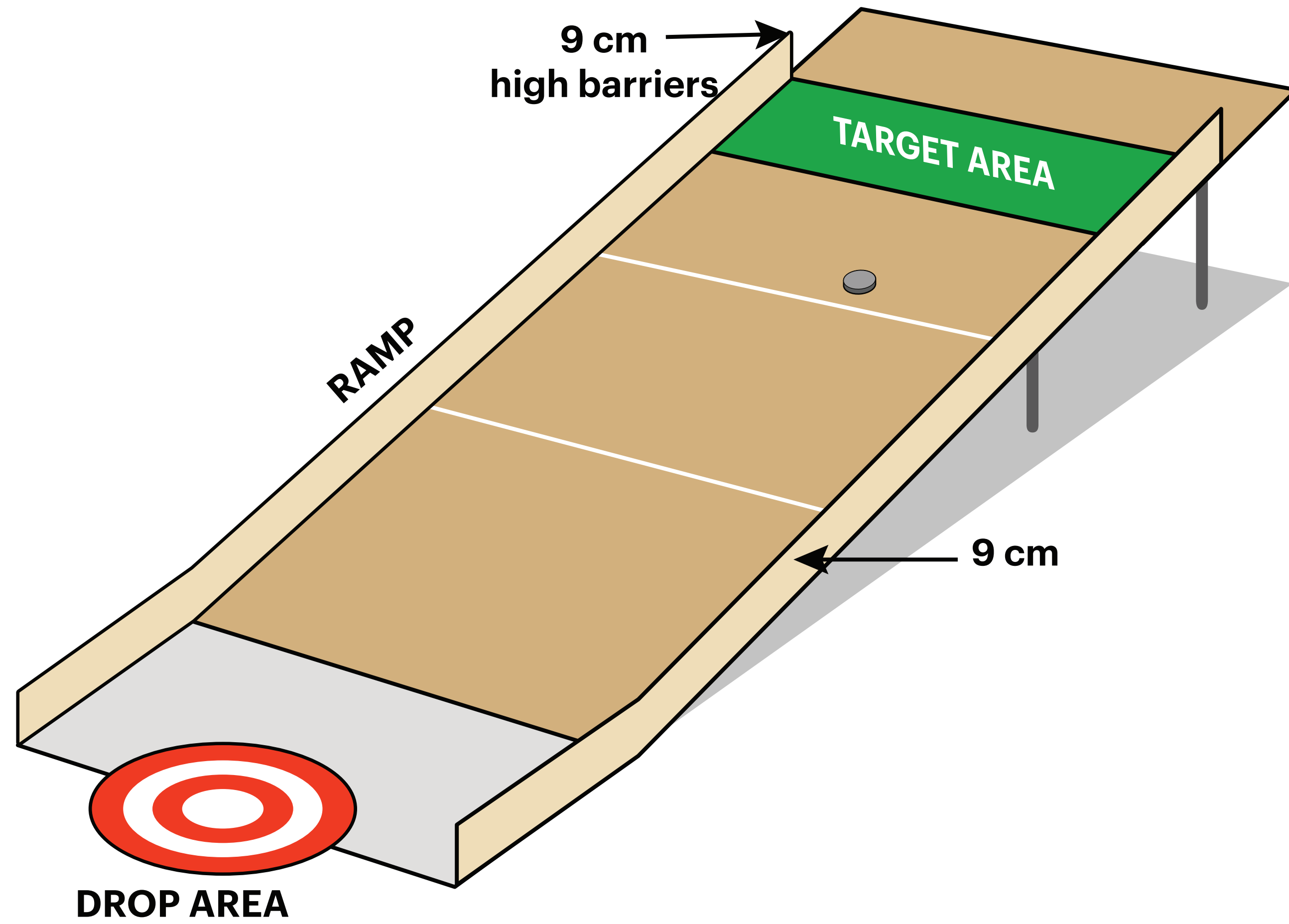


Figure 4: Side Diagram of Test Rig

